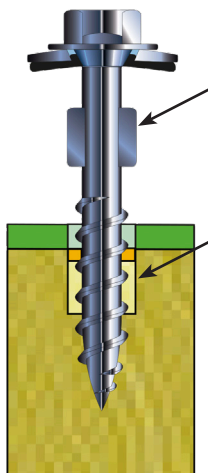
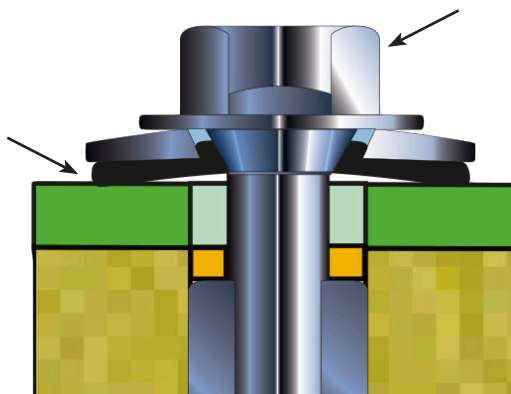




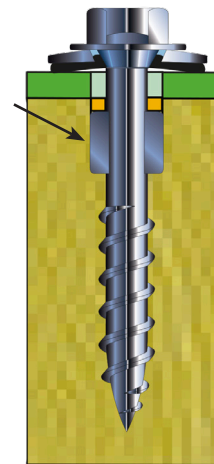
MASTER ONE STEPPERS®



Fastener prior to set; notice the space the fastener's wings will create



Fastener's head & washer

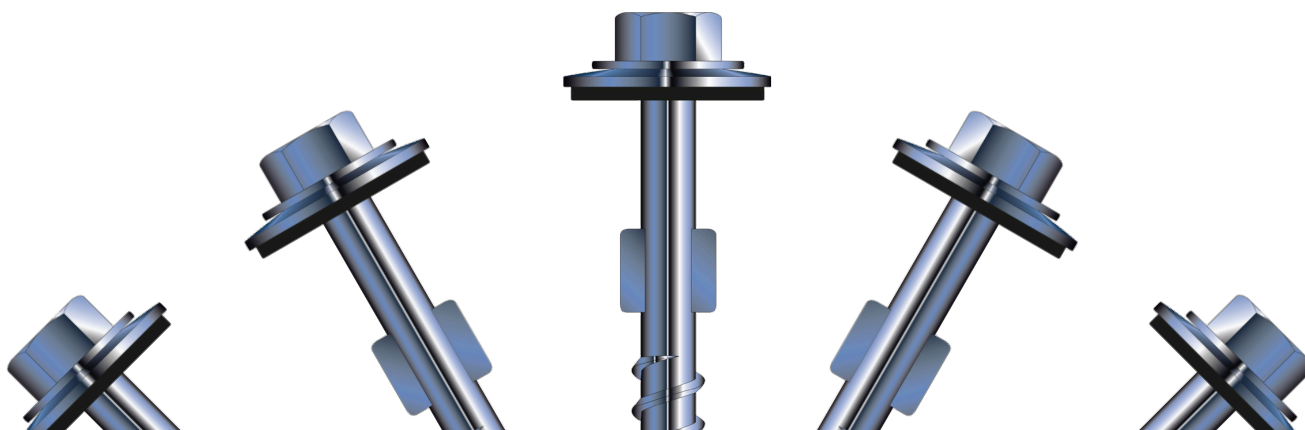


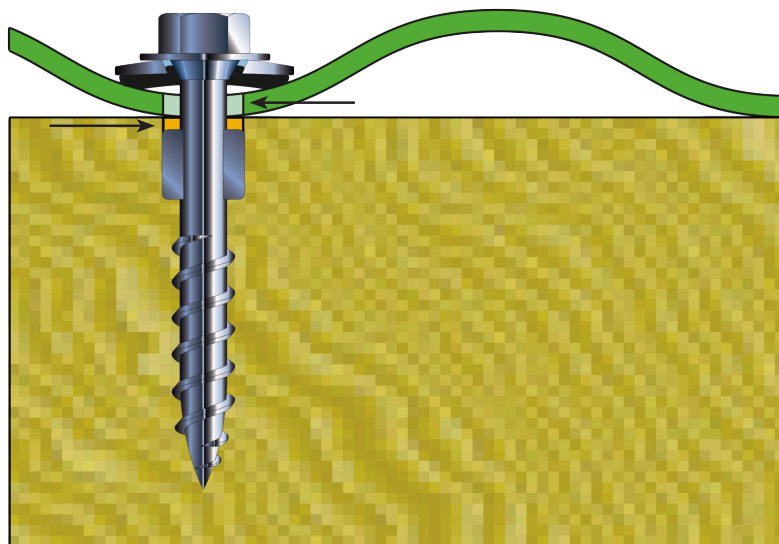
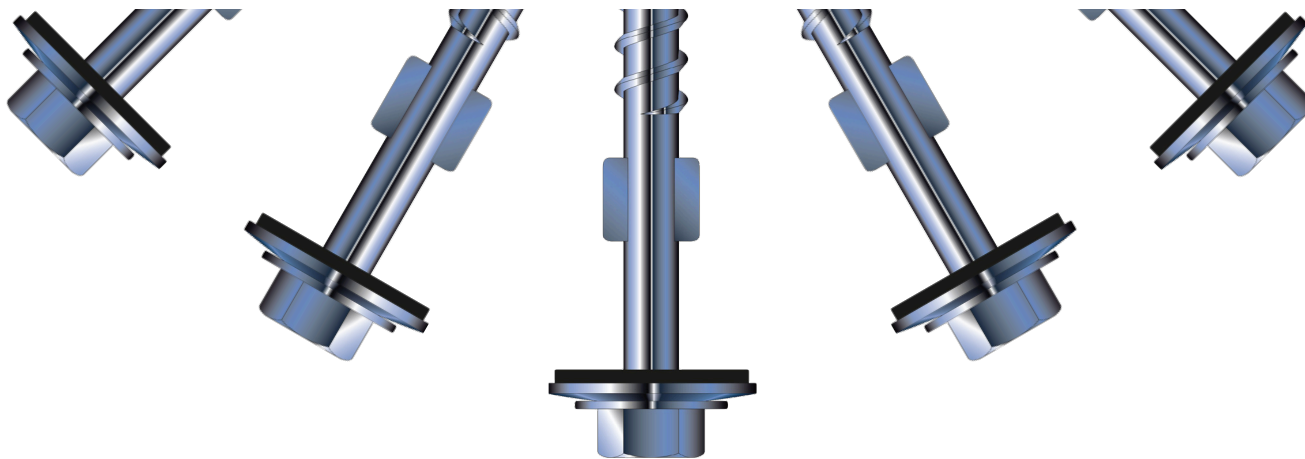
Fastener in finished state; notice the space created by the fastener's wings

Revolutionary design, self drills expansion hole, automatically centers screw in expansion hole, sealing washer allows installed panels to float in a ONE STEP operation

1/4" HEX WASHER FEATURES:

- Provides an expansion relief that allows for thermal expansion of panel products after fastening
- Eliminates pre-drilling larger expansion pilot holes
- Automatically centers screw in self drilled expansion hole and unique shank design guarantees centered washer & seal
- Provides ONE STEP fastening for Wood/OSB
- Perfect for fastening PVC & Polycarbonate panels
- Completely reusable; damaged panels can be replaced with original one steppers
- Sealing washers provide a cushioned expansion
- Fastens substrate thickness from a .030 and thicker





Fastener oversized the panel & substrate beneath

Please reference panel specific fixing details on installation instructions

PVC & Polycarbonate

| | |
|---------------------|--|
| Diameter/Pitch | #12 (11) |
| Length | 1-1 ¹ / ₄ " |
| Washer O.D. | 12 mm / 1 ¹ / ₂ " |
| Material | Carbon Steel & 304 (HT#) Stainless Steel |
| Substrate Thickness | .030/.060, .060/.250, .250/.375, .375/.500 |
| Head Types | 1 ¹ / ₄ " Hex Washer Head |
| Coatings Available | Available in case-hardened steel, JS1000 or DT2000 |
| Colors | White or Mill |

Copyright © 08/19

DISCLAIMER: All test results and suggestions are based on laboratory tests. Specific job site conditions should be taken into consideration when specifying the proper fastener. Because application conditions vary, we assume no liability or use of this information. Patent Pending.